

865
866

865•866

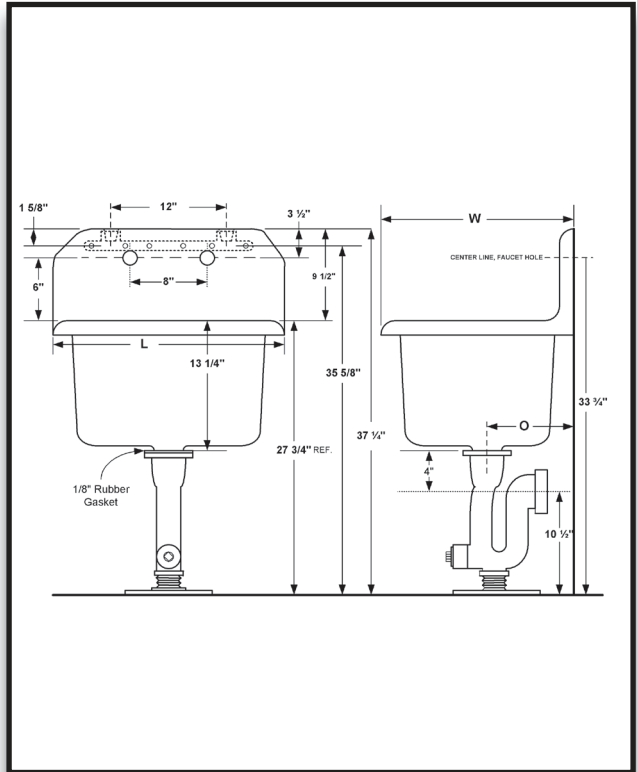
Service Sink
Wall Hung Installation
Includes Hanger

Drilled for and includes
stainless steel rim guard

Accessories (Sold Separately)
870 2" and 3" Trap Standard



865•866



Cat. No.	Size	Specs			Ship Wt.
		L	W	O	
865	22" x 18"	22"	18"	9"	90 lbs.
866	24" x 20"	24"	20"	10"	109 lbs.

ACID RESISTANT ENAMEL ON CAST IRON