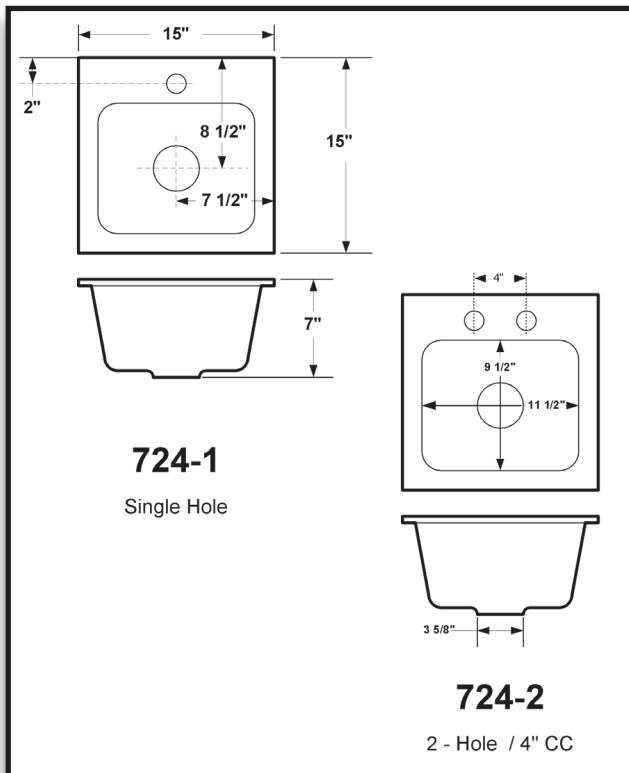


Rancho Mirage

Rancho Mirage

15" x 15" Bar Sink
 Tile, Metal Rim or Undercounter Mount
 Available in 1 or 2 Hole Drill
 3 1/2" Drain



Cat. No.	Size	Depth	Ship Wt.
724-1	15" x 15"	7"	30 lbs.
724-2	15" x 15"	7"	30 lbs.

ACID RESISTANT ENAMEL ON CAST IRON
 *Rough-in dimensions may vary 1/4"

